



## Super Stationmaster™ Omni Fiberglass Antenna, 460-470, 10.1dBi, N Female

**Product Description**

These fiberglass enclosed antennas offer significant advantages over most exposed element arrays and deliver equal or better electrical performance. Super Stationmaster Antennas employ multiple, large diameter copper radiating elements stacked collinearly, fed in phase and enclosed in a weather-proof fiberglass housing. These DC grounded units use low loss Teflon® #174 and insulated connectors. The Super Stationmaster provides 8.0 dBd gain and a full 10 MHz bandwidth. The Stationmaster provides 7.5 dBd omnidirectional gain and can withstand winds of 125 mph (200 km/hr). It is excellent for duplex systems with 8 MHz or less separation between Tx and Rx frequencies. Several mounting hardware options are available for these antennas.



1151 Series

**Features/Benefits**

• **Weatherproof design assures system reliability, withstands winds of 125 mph.** • **Copper elements minimize possibility of intermod generation.** • **DC grounded – protects against damage from lightning strikes.**

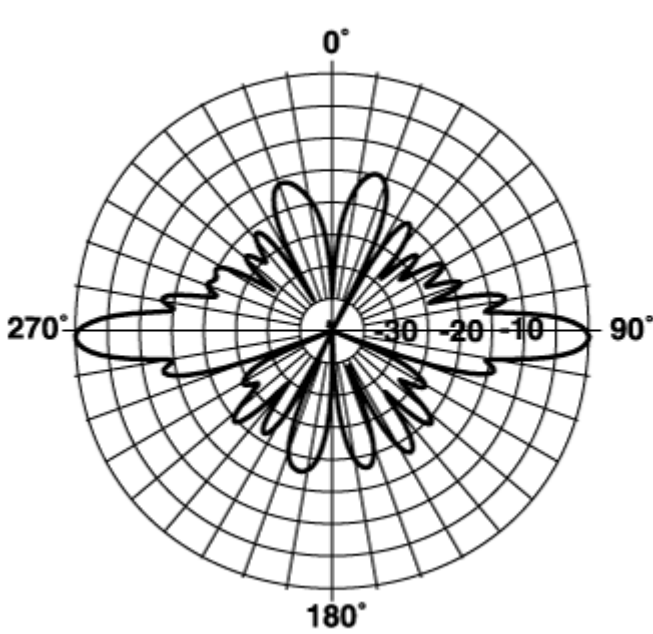
**Technical Specifications**

Frequency Band	300-699.9 MHz
Horizontal Pattern	Omnidirectional
Antenna Type	Fiberglass Omni
Electrical Down Tilt Option	Fixed
Gain, dBi (dBd)	10.1 (8)
Frequency Range, MHz	460-470
Connector Type	N Female
Connector Location	Bottom
Mount Type	Fixed
Electrical Downtilt, deg	0
Orientation	Upright
Mounting Hardware	46 Clamp Set
Rated Wind Speed, km/h (mph)	200 (125)
Gain (Omni), dBi (dBd)	10.14 (8)
VSWR	< 1.5:1
Vertical Beamwidth, deg	12
Polarization	Vertical
Maximum Power Input, W	250
Lightning Protection	Direct Ground
3rd Order IMP @ 2 x 43 dBm, dBc	-130
Impedance, Ohms	50
Overall Length, m (ft)	4.54 (14.9)
Element Housing Length, m (ft)	3.96 (13)
Mounting Pipe Diameter, m (in)	0.07 (2.75)
Support Pipe Length, m (ft)	0.61 (2)
Weight, kg (lb)	7 (16)
Radiating Element Material	Copper
Element Housing Material	Fiberglass
Support Pipe Material	Aluminum Alloy
Max Wind Loading Area, m <sup>2</sup> (ft <sup>2</sup> )	0.155 (1.67)
Bend Mom @ Rated Wind 1" Below Top of Mt Pipe, N m (ft lbf)	594 (438)
Wind Load - Side @ Rated Wind, N (lbf)	298 (67)
Shipping Weight, kg (lb)	21.8 (48)
Packing Dimensions, HxWxD, mm (in)	5120 x 100 x 100 (201.57 x 3.94 x 3.94)
Packing Dimensions - HxWxD, m (ft)	5.12 x 0.1 x 0.1 (16.8 x 0.33 x 0.33)
Shipping Dimensions of Accessory - HxWxD, m (ft)	Packed w/antenna
Shipping Mode	Common Carrier

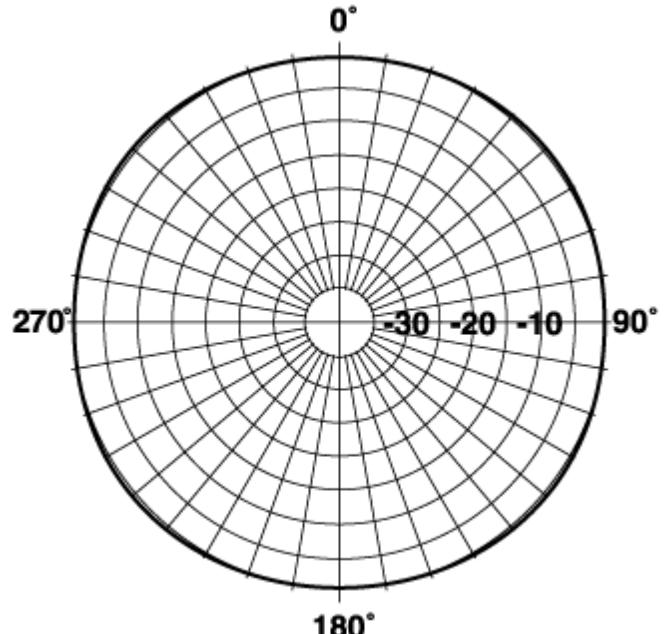
**Notes****Other Documentation**



Super Stationmaster™ Omni Fiberglass Antenna, 460-470, 10.1dBi, N Female



Vertical Pattern



Horizontal Pattern



**Wadsworth  
Sales Inc.**

**Bryan Wadsworth**

**Cell 815-790-4494**

**Fax 815-363-6056**

[www.wadsworthsales.com](http://www.wadsworthsales.com)

All information contained in the present datasheet is subject to confirmation at time of ordering