

Super Stationmaster™ Omni Fiberglass Antenna, 440-450, 12.1dBi, N Female

Product Description

These Super Stationmaster UHF base station antennas incorporate design enhancements not normally available in other fiberglass collinear antennas of comparable size. Due to their broadband characteristics, only six versions are required to cover the 450-512 MHz band. The 455 combines full 10 MHz bandwidth capability and improved lightning protection with 10 dBd omni-directional gain while preserving the desirable light-weight characteristic found in all Stationmaster antennas.

**Features/Benefits**

• Fiberglass construction protects radiating elements in corrosive environments. • Copper radiating elements minimize possibility of intermod generation. • Full 10 dB gain – provides maximum on horizon coverage.

Technical Specifications

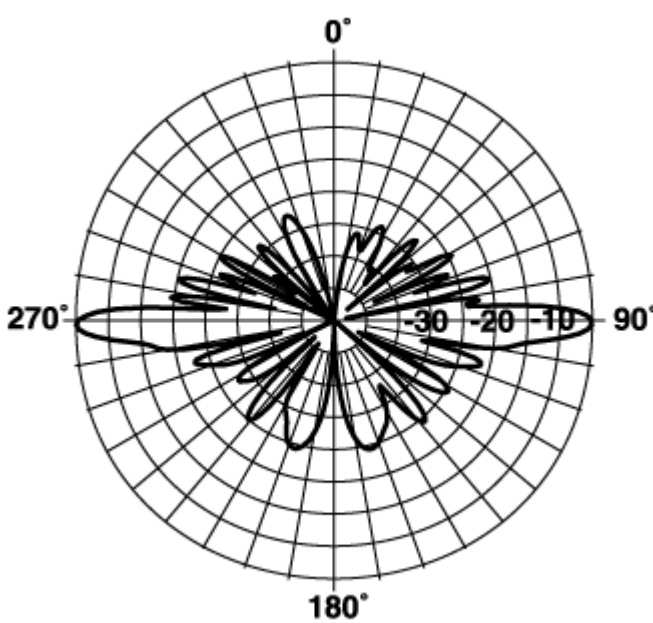
Frequency Band	300-699.9 MHz
Horizontal Pattern	OmniDirectional
Antenna Type	Fiberglass Omni
Electrical Down Tilt Option	Fixed
Gain, dBi (dBd)	12.1 (10)
Frequency Range, MHz	440-450
Connector Type	N Female
Connector Location	Bottom
Mount Type	Fixed
Electrical Downtilt, deg	0
Orientation	Upright
Mounting Hardware	46 Clamp Set
Rated Wind Speed, km/h (mph)	160 (100)
Gain (Omni), dBi (dBd)	12.14 (10)
VSWR	< 1.5:1
Vertical Beamwidth, deg	7
Polarization	Vertical
Maximum Power Input, W	500
Lightning Protection	Direct Ground
3rd Order IMP @ 2 x 43 dBm, dBc	-130
Impedance, Ohms	50
Overall Length, m (ft)	6.16 (20.2)
Element Housing Length, m (ft)	5.46 (17.9)
Mounting Pipe Diameter, m (in)	0.07 (2.75)
Support Pipe Length, m (ft)	0.61 (2)
Weight, kg (lb)	11 (24)
Radiating Element Material	Copper
Element Housing Material	Fiberglass
Support Pipe Material	Aluminum Alloy
Max Wind Loading Area, m ² (ft ²)	0.178 (1.92)
Survival Wind Speed, km/h (mph)	200 (125)
Bend Mom @ Rated Wind 1" Below Top of Mt Pipe, N m (ft lbf)	936 (690)
Wind Load - Side @ Rated Wind, N (lbf)	342 (77)

All information contained in the present datasheet is subject to confirmation at time of ordering

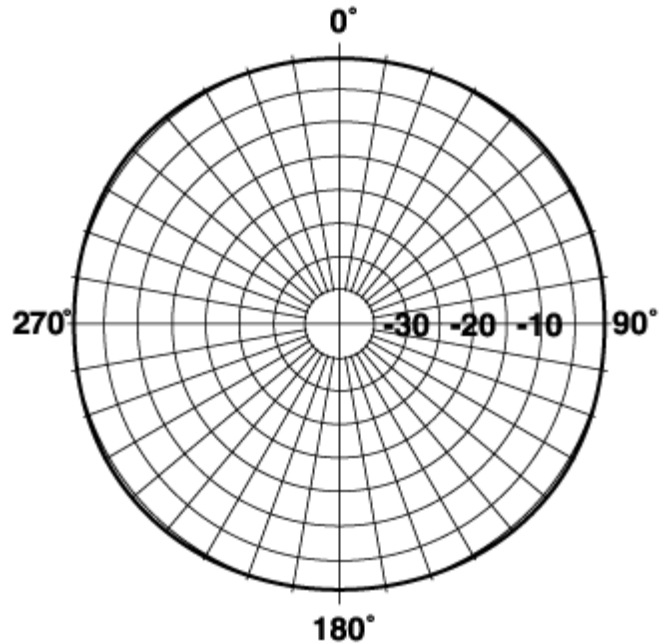
Super Stationmaster™ Omni Fiberglass Antenna, 440-450, 12.1dBi, N Female

Shipping Weight, kg (lb)	25.9 (57)
Packing Dimensions, HxWxD, mm (in)	7320 x 100 x 100 (288.18 x 3.94 x 3.94)
Packing Dimensions - HxWxD, m (ft)	7.32 x 0.1 x 0.1 (24 x 0.33 x 0.33)
Shipping Dimensions of Accessory - HxWxD, m (ft)	Packed w/antenna
Shipping Mode	Common Carrier

Notes



Vertical Pattern



Horizontal Pattern

Wadsworth Sales Incorporated



Bryan Wadsworth
CELL PHONE #
815-790-4494
AMATEUR RADIO CALL
WB9MCW
www.wadsworthsales.com

All information contained in the present datasheet is subject to confirmation at time of ordering