



Applications

Omnidirectional antennas radiate maximum power uniformly in all directions, in the horizontal plane. These center-fed collinear antennas ensure consistent gain and impedance across the frequency band for a wide variety of applications, including land mobile radio services from 806-960 MHz. RFS has been supplying omni antennas since the early days of radio communication. The portfolio includes antennas for extensive rural coverage.

Antenna Brands:

- Super Stationmaster™
- Stationmaster II®
- Storm Chief™



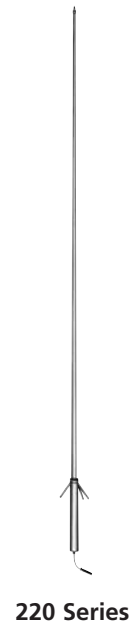
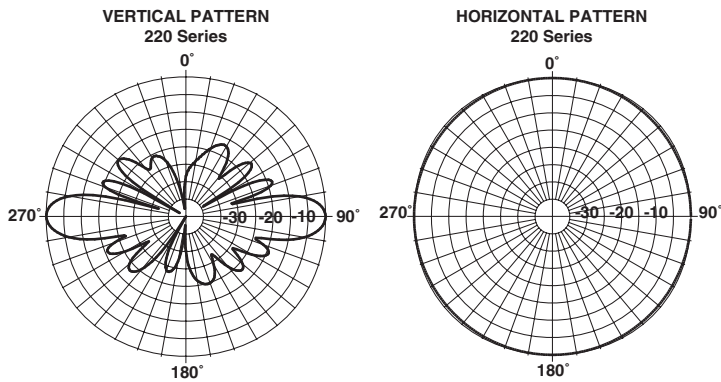
Tower with RFS Omni Antennas

BASE STATION ANTENNAS
2

Features & Benefits

- Rugged construction assures system reliability in most environments
- Broad range of product families from 25 MHz to 1990 MHz
- Broadband options reduce backup inventory and the need for multiple antennas
- Careful choice of materials maximize system performance while minimizing the possibility of intermod.

Typical Patterns



BA1012 Series BA1012-0 118-174 2.1 (0) 1.43 (4.7) 80 N Female

YELLOW HIGH LITE >> SEE "SPECIAL NOTES SECTION" AT THE BOTTOM = LAST PAGE

Wadsworth Sales Incorporated
 E Mail wb9mcw@gmail.com Cell: 1-815-790-4494
 Skype: [bryan.wadsworth](https://www.skype.com/name/bryan.wadsworth) Fax: 1-815-363-6056



Omni Antennas

CALL 1-815-790-4494

Selection Guide by Frequency Range

BASE STATION ANTENNAS

2

Antenna Series	Model Number	Frequency Range, MHz	Gain, dBi (dBD)	Overall Length, m (ft)	Vertical Beamwidth, deg	Connector Type
25-88 MHz OMNIDIRECTIONAL ANTENNAS						
1142 Series	1142-1N	25-30	2.1 (0)	5.73 (18.8)	75	N Female
1142 Series	1142-2AN	30-35	2.1 (0)	4.88 (16)	75	N Female
1142 Series	1142-2BN	35-42	2.1 (0)	4.27 (14)	75	N Female
1142 Series	1142-2CN	42-54	2.1 (0)	3.84 (12.6)	75	N Female
1142 Series	1142-3N	66-88	2.1 (0)	2.62 (8.6)	75	N Female
114-174 MHz OMNIDIRECTIONAL ANTENNAS						
BA1010 Series	BA1010-1	146-164	2.1 (0)	1.43 (4.7)	80	N Female
BA1010 Series	BA1010-2	154-174	2.1 (0)	1.4 (4.6)	80	N Female
BA1010 Series	BA1010-4	114-125	2.1 (0)	1.86 (6.1)	80	N Female
BA1010 Series	BA1010-5	120-132	2.1 (0)	1.52 (5)	80	N Female
118-174 MHz OMNIDIRECTIONAL ANTENNAS						
BA1012 Series	BA1012-0	118-174	2.1 (0)	1.43 (4.7)	80	N Female
BA1012 Series	BA1012-1	144-162	2.1 (0)	1.34 (4.4)	80	N Female
BA1012 Series	BA1012-2	154-174	2.1 (0)	1.13 (3.7)	80	N Female
118-174 MHz OMNIDIRECTIONAL ANTENNAS						
BA1312 Series	BA1312-0	118-174	5.1 (3)	2.68 (8.8)	35	N Female
BA1312 Series	BA1312-1	149-156	5.1 (3)	2.62 (8.6)	35	N Female
BA1312 Series	BA1312-2	156-163	5.1 (3)	2.62 (8.6)	35	N Female
BA1312 Series	BA1312-3	163-171	5.1 (3)	2.62 (8.6)	35	N Female
120-174 MHz STATIONMASTER II® OMNI ANTENNAS						
200N	200N	120-174	7.6 (5.5)	6.34 (20.8)	18	N Female
136-174 MHz SUPER STATIONMASTER™ OMNI ANTENNAS						
620 Series	620-3D	150-159	7.4 (5.25)	6.3 (20.6)	18	7-16 DIN Female
620 Series	620-3N	150-159	7.4 (5.25)	6.3 (20.6)	18	N Female
620 Series	620-6D	160-169	7.4 (5.25)	6.0 (19.7)	18	7-16 DIN Female
620 Series	620-6N	160-169	7.4 (5.25)	6.0 (19.7)	18	N Female
136-281 MHz SUPER STATIONMASTER™ OMNI ANTENNAS						
220 Series	220-1D	136-141	7.4 (5.25)	6.1 (20)	18	7-16 DIN Female
220 Series	220-1N	136-141	7.4 (5.25)	6.1 (20)	18	N Female
220 Series	220-2D	142-150	7.4 (5.25)	5.85 (19.2)	18	7-16 DIN Female
220 Series	220-2N	142-150	7.4 (5.25)	5.85 (19.2)	18	N Female
220 Series	220-3AD	150.5-158.5	7.4 (5.25)	6.31 (20.7)	18	7-16 DIN Female
220 Series	220-3AN	150.5-158.5	7.4 (5.25)	6.31 (20.7)	18	N Female
220 Series	220-3BD	151.5-159.5	7.4 (5.25)	6.34 (20.8)	18	7-16 DIN Female
220 Series	220-3BN	151.5-159.5	7.4 (5.25)	6.34 (20.8)	18	N Female
220 Series	220-4D	155-163	7.4 (5.25)	6.16 (20.2)	18	7-16 DIN Female
220 Series	220-4N	155-163	7.4 (5.25)	6.16 (20.2)	18	N Female
220 Series	220-5D	157-165	7.4 (5.25)	6.1 (20)	18	7-16 DIN Female
220 Series	220-5N	157-165	7.4 (5.25)	6.1 (20)	18	N Female
220 Series	220-6D	160-169	7.4 (5.25)	5.94 (19.5)	18	7-16 DIN Female
220 Series	220-6N	160-169	7.4 (5.25)	5.94 (19.5)	18	N Female
220 Series	220-7D	165-174	7.4 (5.25)	5.79 (19)	18	7-16 DIN Female
220 Series	220-7N	165-174	7.4 (5.25)	5.79 (19)	18	N Female
220 Series	220-8BD	220-225	8.1 (6)	5.73 (18.8)	16	7-16 DIN Female
220 Series	220-8BN	220-225	8.1 (6)	5.73 (18.8)	16	N Female
220 Series	220-8D	216-225	8.1 (6)	5.73 (18.8)	16	7-16 DIN Female
220 Series	220-8N	216-225	8.1 (6)	5.73 (18.8)	16	N Female
220 Series	220-9D	279-281	8.1 (6)	4.6 (15.1)	16	7-16 DIN Female
220 Series	220-9N	279-281	8.1 (6)	4.6 (15.1)	16	N Female
380-512 MHz OMNIDIRECTIONAL ANTENNAS						
BA6110 Series	BA6110-1	400-470	2.1 (0)	1.01 (3.3)	78	N Female
BA6110 Series	BA6110-2	450-512	2.1 (0)	0.94 (3.1)	78	N Female
BA6110 Series	BA6110-3	380-420	2.1 (0)	1.01 (3.3)	78	N Female

BA1012 Series BA1012-0 118-174 2.1 (0) 1.43 (4.7) 80 N Female

YELLOW HIGH LITE >> SEE "SPECIAL NOTES SECTION" AT THE BOTTOM = LAST PAGE

Wadsworth Sales Incorporated

E Mail wb9mcw@gmail.com Cell: 1-815-790-4494

Skype: [bryan.wadsworth](https://www.skype.com/name/bryan.wadsworth) Fax: 1-815-363-6056



Omni Antennas

CALL 1-815-790-4494

Selection Guide by Frequency Range

Antenna Series	Model Number	Frequency Range, MHz	Gain, dBi (dBd)	Overall Length, m (ft)	Vertical Beamwidth, deg	Connector Type
380-512 MHz OMNIDIRECTIONAL ANTENNAS						
BA6312 Series	BA6312-0	406-512	5.1 (3)	1.43 (4.7)	29	N Female
BA6312 Series	BA6312-1	449-467	5.1 (3)	1.34 (4.4)	29	N Female
BA6312 Series	BA6312-2	467-485	5.1 (3)	1.34 (4.4)	29	N Female
BA6312 Series	BA6312-5	380-400	5.1 (3)	1.34 (4.4)	29	N Female
BA6312 Series	BA6312-6	410-430	5.1 (3)	1.34 (4.4)	29	N Female
406-512 MHz SUPER STATIONMASTER™ OMNI ANTENNAS						
1151 Series	1151-1D	406-420	10.1 (8)	5.03 (16.5)	12	7-16 DIN Female
1151 Series	1151-1N	406-420	10.1 (8)	5.03 (16.5)	12	N Female
1151 Series	1151-2D	440-450	10.1 (8)	4.72 (15.5)	12	7-16 DIN Female
1151 Series	1151-2N	440-450	10.1 (8)	4.72 (15.5)	12	N Female
1151 Series	1151-3D	450-460	10.1 (8)	4.63 (15.2)	12	7-16 DIN Female
1151 Series	1151-3N	450-460	10.1 (8)	4.63 (15.2)	12	N Female
1151 Series	1151-4D	460-470	10.1 (8)	4.54 (14.9)	12	7-16 DIN Female
1151 Series	1151-4N	460-470	10.1 (8)	4.54 (14.9)	12	N Female
1151 Series	1151-5D	470-482	10.1 (8)	4.42 (14.5)	12	7-16 DIN Female
1151 Series	1151-5N	470-482	10.1 (8)	4.42 (14.5)	12	N Female
1151 Series	1151-6D	482-494	10.1 (8)	4.36 (14.3)	12	7-16 DIN Female
1151 Series	1151-6N	482-494	10.1 (8)	4.36 (14.3)	12	N Female
1151 Series	1151-7D	494-506	10.1 (8)	4.27 (14)	12	7-16 DIN Female
1151 Series	1151-7N	494-506	10.1 (8)	4.27 (14)	12	N Female
1151 Series	1151-8D	500-512	10.1 (8)	4.21 (13.8)	12	7-16 DIN Female
1151 Series	1151-8N	500-512	10.1 (8)	4.21 (13.8)	12	N Female
406-512 MHz STATIONMASTER II® OMNI ANTENNAS						
201 Series	201-1N	406-426	7.1 (5)	2.72 (8.84)	18	N Female
201 Series	201-7N	450-470	7.1 (5)	2.51 (8.22)	18	N Female
201 Series	201-8N	470-490	7.1 (5)	2.45 (8.0)	18	N Female
406-512 MHz SUPER STATIONMASTER™ OMNI ANTENNAS						
455 Series	455-1D	406-413	12.1 (10)	6.52 (21.4)	7	7-16 DIN Female
455 Series	455-1N	406-413	12.1 (10)	6.52 (21.4)	7	N Female
455 Series	455-2D	412-420	12.1 (10)	6.55 (21.5)	7	7-16 DIN Female
455 Series	455-2N	412-420	12.1 (10)	6.55 (21.5)	7	N Female
455 Series	455-3D	420-430	12.1 (10)	6.34 (20.8)	7	7-16 DIN Female
455 Series	455-3N	420-430	12.1 (10)	6.34 (20.8)	7	N Female
455 Series	455-4D	430-440	12.1 (10)	6.34 (20.8)	7	7-16 DIN Female
455 Series	455-4N	430-440	12.1 (10)	6.34 (20.8)	7	N Female
455 Series	455-5D	440-450	12.1 (10)	6.16 (20.2)	7	7-16 DIN Female
455 Series	455-5N	440-450	12.1 (10)	6.16 (20.2)	7	N Female
455 Series	455-6D	450-460	12.1 (10)	6.1 (20)	7	7-16 DIN Female
455 Series	455-6N	450-460	12.1 (10)	6.1 (20)	7	N Female
455 Series	455-7D	460-470	12.1 (10)	5.94 (19.5)	7	7-16 DIN Female
455 Series	455-7N	460-470	12.1 (10)	5.94 (19.5)	7	N Female
455 Series	455-8D	470-482	12.1 (10)	5.79 (19)	7	7-16 DIN Female
455 Series	455-8N	470-482	12.1 (10)	5.79 (19)	7	N Female
455 Series	455-9D	480-490	12.1 (10)	5.73 (18.8)	7	7-16 DIN Female
455 Series	455-9N	480-490	12.1 (10)	5.73 (18.8)	7	N Female
455 Series	455-10D	494-506	12.1 (10)	5.73 (18.8)	7	7-16 DIN Female
455 Series	455-10N	494-506	12.1 (10)	5.73 (18.8)	7	N Female
455 Series	455-11D	500-512	12.1 (10)	5.73 (18.8)	7	7-16 DIN Female
455 Series	455-11N	500-512	12.1 (10)	5.73 (18.8)	7	N Female
406-512 MHz STORM CHIEF™ RUGGED BROADBAND OMNI						
458 Series	458-1D	406-420	10.1 (8)	4.39 (14.4)	12	7-16 DIN Female
458 Series	458-1N	406-420	10.1 (8)	4.39 (14.4)	12	N Female
458 Series	458-2D	450-470	10.1 (8)	4.05 (13.3)	12	7-16 DIN Female
458 Series	458-2N	450-470	10.1 (8)	4.05 (13.3)	12	N Female
458 Series	458-3D	470-494	10.1 (8)	3.9 (12.8)	12	7-16 DIN Female
458 Series	458-3N	470-494	10.1 (8)	3.9 (12.8)	12	N Female

BASE STATION ANTENNAS 2

Wadsworth Sales Incorporated
 E Mail wb9mcw@gmail.com Cell: 1-815-790-4494
 Skype: [bryan.wadsworth](https://www.skype.com/user/bryan.wadsworth)



Omni Antennas

CALL 1-815-790-4494

Selection Guide by Frequency Range

Antenna Series	Model Number	Frequency Range, MHz	Gain, dBi (dBD)	Overall Length, m (ft)	Vertical Beamwidth, deg	Connector Type
406-512 MHz OMNIDIRECTIONAL ANTENNAS						
BA6012 Series	BA6012-0	406-512	2.1 (0)	1.13 (3.7)	67	N Female
BA6012 Series	BA6012-1	449-471	2.1 (0)	0.82 (2.7)	67	N Female
BA6012 Series	BA6012-2	468-492	2.1 (0)	0.82 (2.7)	67	N Female
746-960 MHz SUPER STATIONMASTER™ OMNI ANTENNAS						
AO7606 Series	AO7606-24T0	746-776	8.1 (6.0)	2.62 (8.6)	12	N Female
AO7606 Series	AO7606-54T0	746-776	8.1 (6.0)	2.62 (8.6)	12	7-16 DIN Female
AO7806 Series	AO7806-24T0	764-806	8.1 (6.0)	2.62 (8.6)	12	N Female
AO7806 Series	AO7806-54T0	764-806	8.1 (6.0)	2.62 (8.6)	12	7-16 DIN Female
10017 Series	10017-1	800-836	12.1 (10)	4.56 (14.96)	5.5	N Female
10017 Series	10017-2	820-855	12.1 (10)	4.47 (14.67)	6	N Female
10017 Series	10017-3	845.5-880.5	12.1 (10)	4.36 (14.29)	6	N Female
10017 Series	10017-4	865-900	12.1 (10)	4.29 (14.06)	6	N Female
10017 Series	10017-4E	865-900	12.1 (10)	4.29 (14.06)	6	7/8 EIA Flange
10017 Series	10017-5	862-898	12.1 (10)	4.29 (14.06)	6	N Female
10017 Series	10017-6	925-960	12.1 (10)	4.05 (13.28)	6	N Female
10017 Series	10017-7	806-841	12.1 (10)	4.53 (14.87)	6	N Female
10017 Series	10017-8	900-935	12.1 (10)	4.14 (13.58)	6	N Female
10017 Series	10017-9	831-866	12.1 (10)	4.42 (14.5)	6	N Female
1108 Series	1108-1	806-869	8.1 (6)	2.47 (8.09)	12	N Female
1108 Series	1108-3	900-960	8.1 (6)	2.27 (7.46)	12	N Female
1109 Series	1109-1	806-869	10.1 (8)	3.14 (10.3)	8	N Female
1109 Series	1109-6	895-960	10.1 (8)	2.89 (9.47)	8	N Female
1110 Series	1110-1	800-836	11.1 (9)	3.54 (11.61)	6	N Female
1110 Series	1110-5	925-960	11.1 (9)	3.46 (11.34)	6	N Female
1110 Series	1110-6	806-841	11.1 (9)	3.86 (12.65)	6	N Female
1110 Series	1110-7	831-866	11.1 (9)	3.76 (12.34)	6	N Female
1110 Series	1110-8	862-898	11.1 (9)	3.65 (11.98)	6	N Female
1110 Series	1110-11	890-960	11.1 (9)	3.54 (11.61)	6	N Female
AO8410M Series	AO8410M-24T0	806-869	12.1 (10)	4.72 (15.5)	5.5	N Female
AO8410M Series	AO8410M-24T3	806-869	12.1 (10)	4.72 (15.5)	5.5	N Female
AO8410M Series	AO8410M-54T0	806-869	12.1 (10)	4.72 (15.5)	5.5	7-16 DIN Female
AO8410M Series	AO8410M-54T3	806-869	12.1 (10)	4.72 (15.5)	5.5	7-16 DIN Female
AO8609 Series	AO8609-24T0	824-894	11.1 (9)	3.69 (12.1)	6	N Female
AO8609 Series	AO8609-54T0	824-894	11.1 (9)	3.69 (12.1)	6	7-16 DIN Female
806-960 MHz OMNIDIRECTIONAL ANTENNAS						
AO8610 Series	AO8610-2T0	824-894	12.1 (10)	5.03 (16.5)	4.5	N Female
AO8610 Series	AO8610-5T0	824-894	12.1 (10)	5.03 (16.5)	4.5	7-16 DIN Female
10022 Series	10022-1	806-880	2.1 (0)	0.52 (1.7)	80	N Female
10022 Series	10022-2	836-896	2.1 (0)	0.52 (1.7)	80	N Female
10022 Series	10022-3	880-960	2.1 (0)	0.52 (1.7)	80	N Female
AO9009-3	AO9009-3	890-960	10.5 (8.4)	3.11 (10.2)	6.5	7-16 DIN Female
806-960 MHz OMNIDIRECTIONAL COLLINEAR ANTENNAS						
1610 Series	1610-1	806-866	6.1 (4)	1.07 (3.5)	25	N Female
1610 Series	1610-2	820-880	6.1 (4)	1.04 (3.4)	25	N Female
1610 Series	1610-3	836-896	6.1 (4)	1.01 (3.3)	25	N Female
1610 Series	1610-4	896-960	6.1 (4)	0.94 (3.1)	25	N Female
1710-1880 MHz OMNIDIRECTIONAL ANTENNAS						
AO1803-1	AO1803-1	1710-1880	5.5 (3.4)	0.63 (2.08)	20	N Female
1850-1990 MHz OMNIDIRECTIONAL ANTENNAS						
AO1903-1	AO1903-1	1850-1990	5.5 (3.4)	0.63 (2.08)	20	N Female

BA1012 Series BA1012-0 118-174 2.1 (0) 1.43 (4.7) 80 N Female

YELLOW HIGH LITE >> SEE "SPECIAL NOTES SECTION" AT THE BOTTOM = LAST PAGE

Wadsworth Sales Incorporated
E Mail wb9mcw@gmail.com Cell: 1-815-790-4494
Skype: bryan.wadsworth Fax: 1-815-363-6056

BASE STATION ANTENNAS

2

