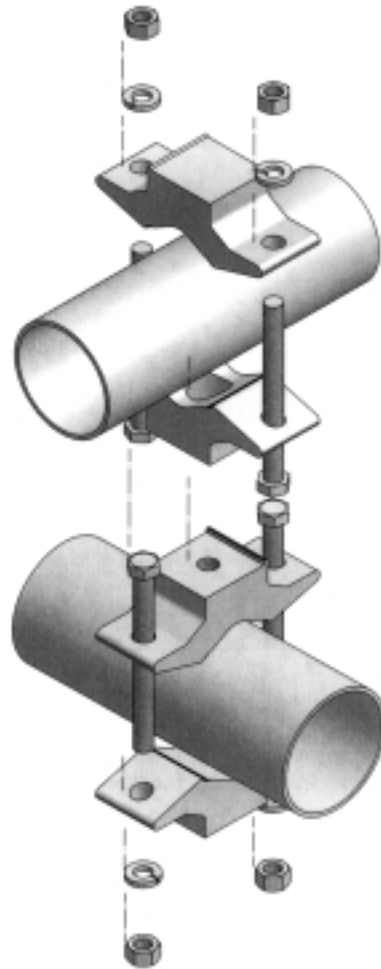


CLAMPS

Our standard offering of clamps has evolved over the last 30 years and is among of the best in the industry. Not only do we offer the following standard clamp designs, but we have developed many custom one-off's for several customers unique installation requests.

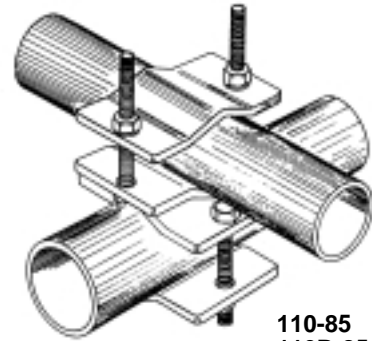
Most of our clamps are fabricated using hot-dipped galvanized high grade steel, that is incorporating oversized u-bolts and fastening hardware. We also offer stainless steel versions as an alternative in extremely corrosive environments.



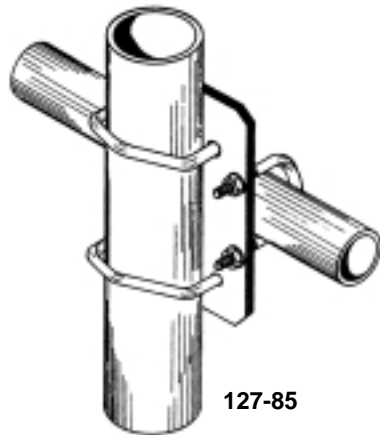


90° PIPE-TO-PIPE

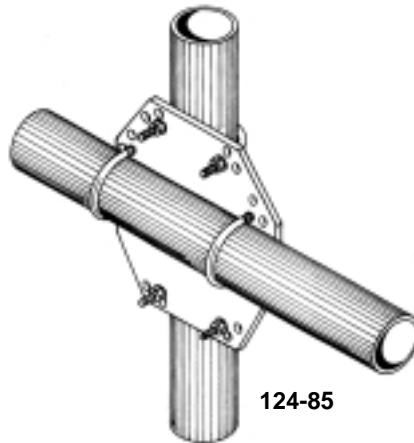
Model	1st Pipe	2nd Pipe
110-85	1.5" to 3.5" dia.	2.25" to 5" dia.
110R-85	1.5" dia.	2.25" to 5" dia.
115-85	1.5" to 3.5" dia.	1.5" to 3.5" dia.
115R-85	1.5" dia.	1.5" to 3.5" dia.
124-85	1.0" to 2.5" dia.	1.0" to 2.5" dia.
127-85	1.0" dia.	1.0" to 2.5" dia.
132-85	1.9" dia.	1.0" dia.
134-85	1.5" dia.	0.75" dia.
171-85	1.9" dia.	1.9" dia.



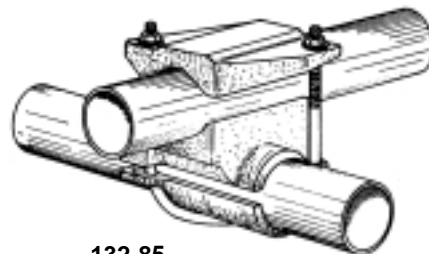
110-85
110R-85
115-85
115R-85



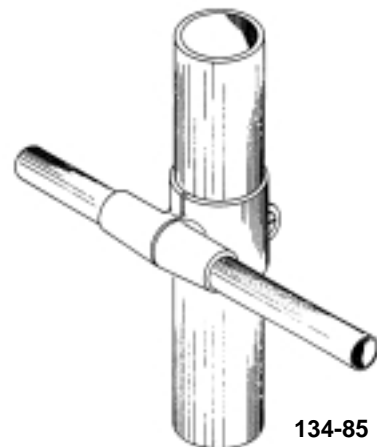
127-85



124-85

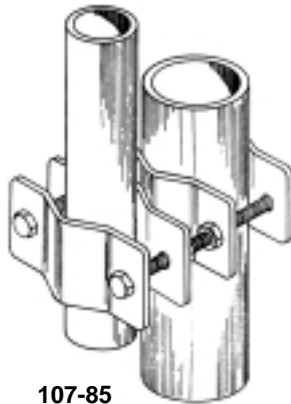


132-85
171-85



134-85

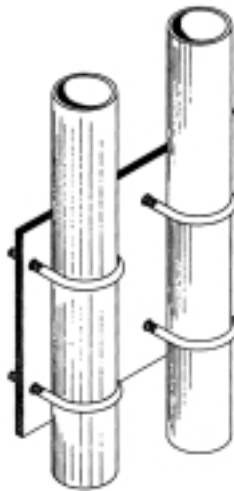
PARALLEL PIPE-TO-PIPE



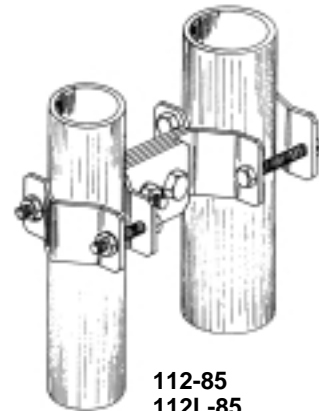
107-85

Model	1st Pipe	2nd Pipe
107-85	1.5" to 3.5" dia.	1.5" to 3.5" dia.
108-85	2.5" to 5" dia.	2.5" to 5" dia.
112-85	1.5" to 3.5" dia.	1.5" to 3.5" dia.
112L-85	2.25" to 5" dia.	2.25" to 5" dia.
112M-85	1.5" to 3.5" dia.	2.25" to 5" dia.
121-85	2.375" dia.	2.375" dia.
126-85	1.5" dia.	1.5" to 2.0" dia.
167-85	1.5" dia.	0.75" to 2.375" dia.

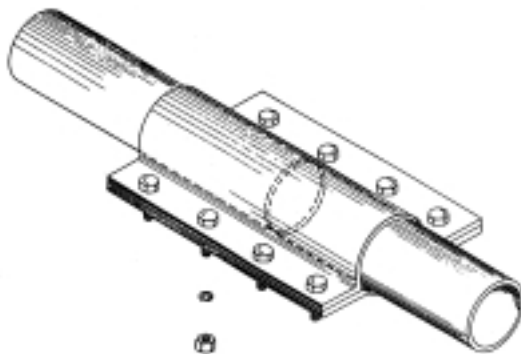
CLAMPS



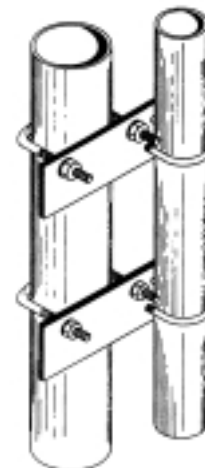
126-85



112-85
112L-85
112M-85



121-85

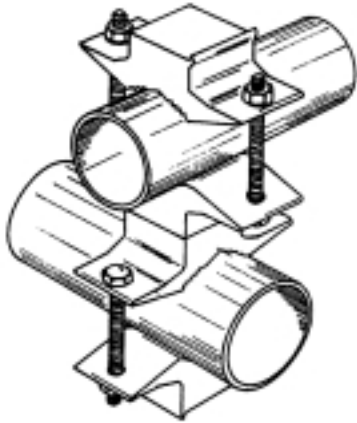


167-85

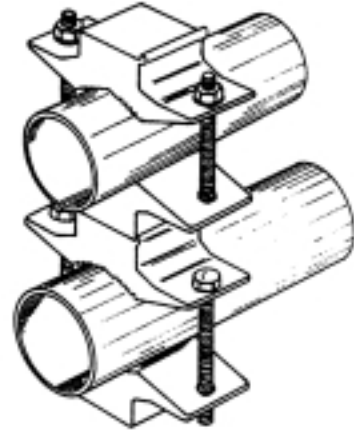
PARALLEL OR 90° PIPE-TO-PIPE

Model	1st Pipe	2nd Pipe
174-85	0.88" to 2.88" dia.	0.88" to 2.88" dia.

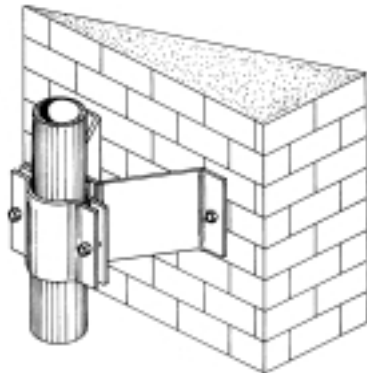
CLAMPS



174-85

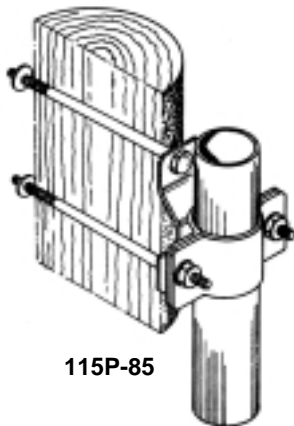


PIPE-TO-FLAT SURFACE (or wood pole)

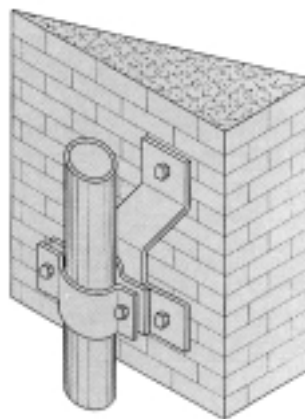


186-85

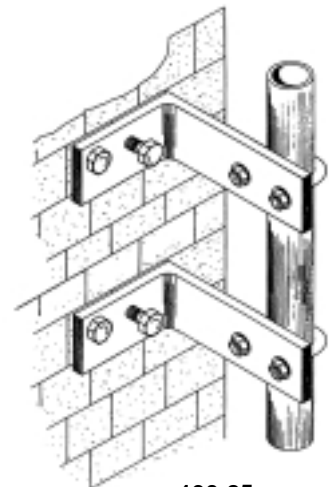
Model	Pipe O.D.
115P-85	1.5" to 3.5" dia.
115W-85	1.5" to 3.5" dia.
130-85	0.5" to 1.5" dia.
186-85	1.5" to 3.5" dia.



115P-85



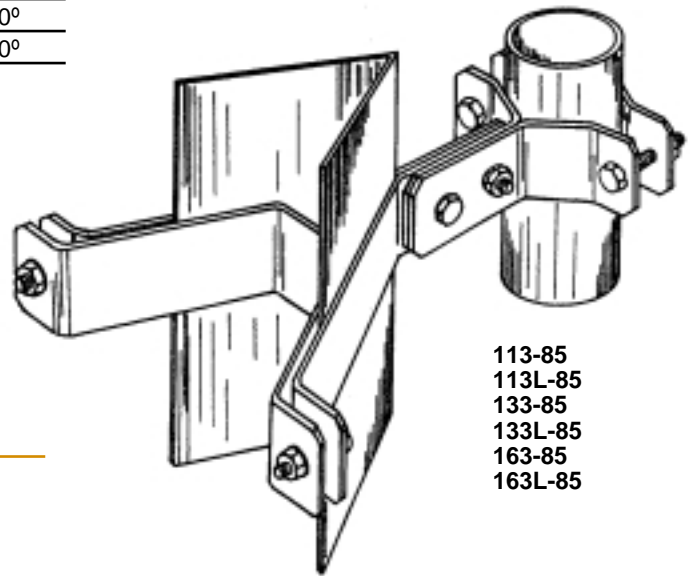
115W-85



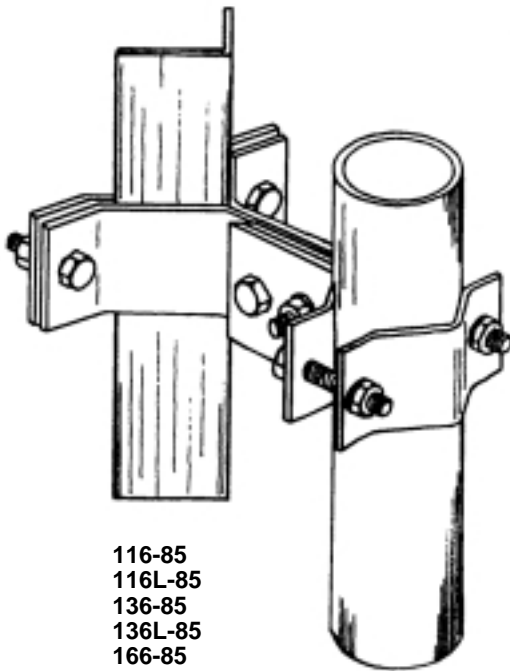
130-85

PARALLEL PIPE-TO-ANGLE

Model	1st Pipe	Angle
113-85	1.50" to 3.5" dia.	8" x 8" max. 60°
113L-85	2.25" to 5.0" dia.	8" x 8" max. 60°
116-85	1.50" to 3.5" dia.	8" x 8" max. 90°
116L-85	2.25" to 5.0" dia.	8" x 8" max. 90°
133-85	1.50" to 3.5" dia.	5" x 5" max. 60°
133L-85	2.25" to 5.0" dia.	5" x 5" max. 60°
136-85	1.50" to 3.5" dia.	5" x 5" max. 90°
136L-85	2.25" to 5.0" dia.	5" x 5" max. 90°
163-85	1.50" to 3.5" dia.	3" x 3" max. 60°
163L-85	2.25" to 5.0" dia.	3" x 3" max. 60°
166-85	1.50" to 3.5" dia.	3" x 3" max. 90°
166L-85	2.25" to 5.0" dia.	3" x 3" max. 90°



113-85
113L-85
133-85
133L-85
163-85
163L-85

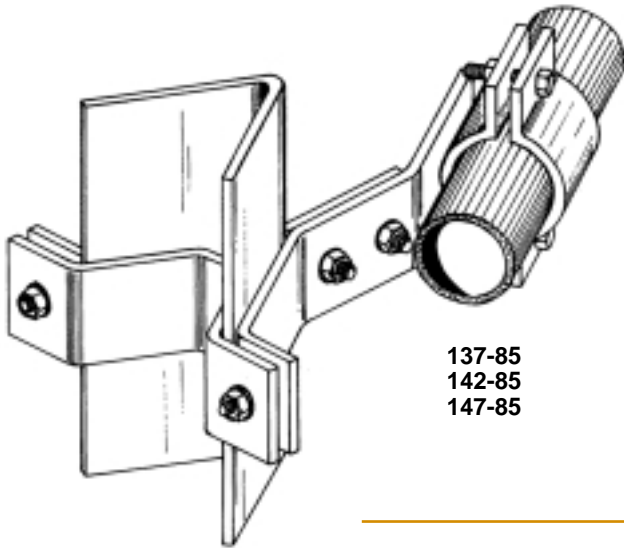


116-85
116L-85
136-85
136L-85
166-85
166L-85

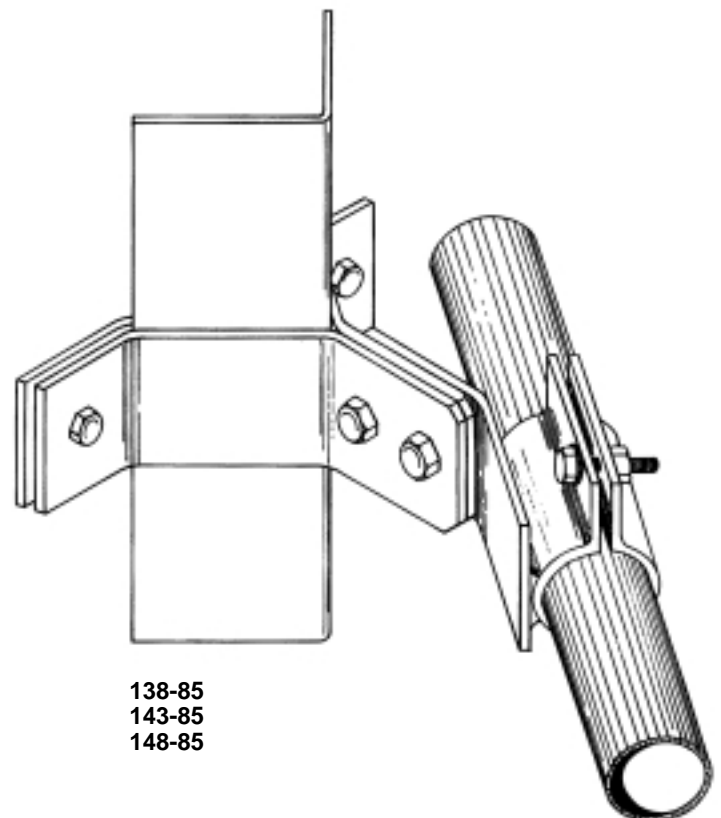
90° PIPE-TO-ANGLE

CLAMPS

Model	Pipe	Angle
137-85	1.5" to 3.5" dia.	5"x 5" max. 60°
138-85	1.5" to 3.5" dia.	5"x 5" max. 90°
142-85	1.5" to 3.5" dia.	8"x 8" max. 60°
143-85	1.5" to 3.5" dia.	8"x 8" max. 90°
147-85	1.5" to 3.5" dia.	3"x 3" max. 60°
148-85	1.5" to 3.5" dia.	3"x 3" max. 90°



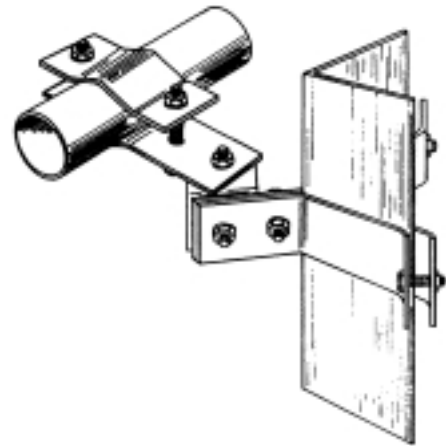
137-85
142-85
147-85



138-85
143-85
148-85

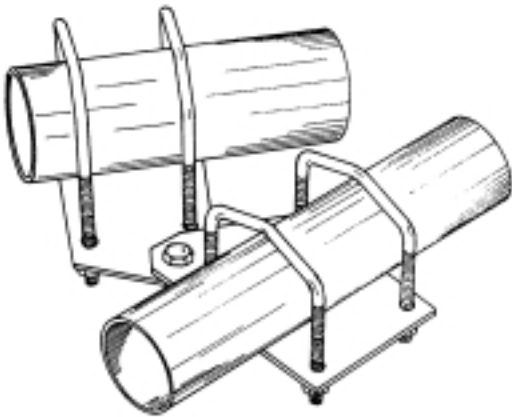
OMNIDIRECTIONAL PIPE-TO-ANGLE

Model	Pipe	Angle
175-85	1.5" to 3.5" dia.	3"x 3" max. 60°
176-85	1.5" to 3.5" dia.	5"x 5" max. 60°
177-85	1.5" to 3.5" dia.	8"x 8" max. 60°
178-85	1.5" to 3.5" dia.	3"x 3" max. 90°
179-85	1.5" to 3.5" dia.	5"x 5" max. 90°
180-85	1.5" to 3.5" dia.	8"x 8" max. 90°



CLAMPS

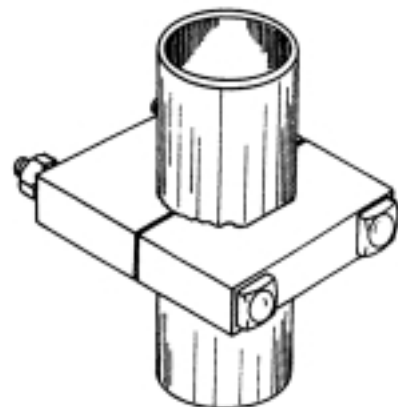
OMNIDIRECTIONAL PIPE-TO-PIPE



Model	1st Pipe	2nd Pipe
122-85	0.75" to 2.38" dia.	0.75" to 2.38" dia.

PIPE-TO-FLAT SURFACE

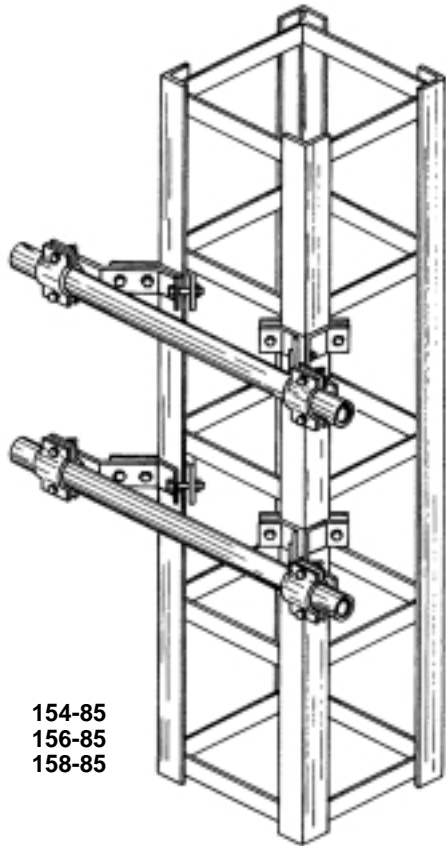
Model	Pipe
172-85	2.88" dia.
173-85	2.38" dia.



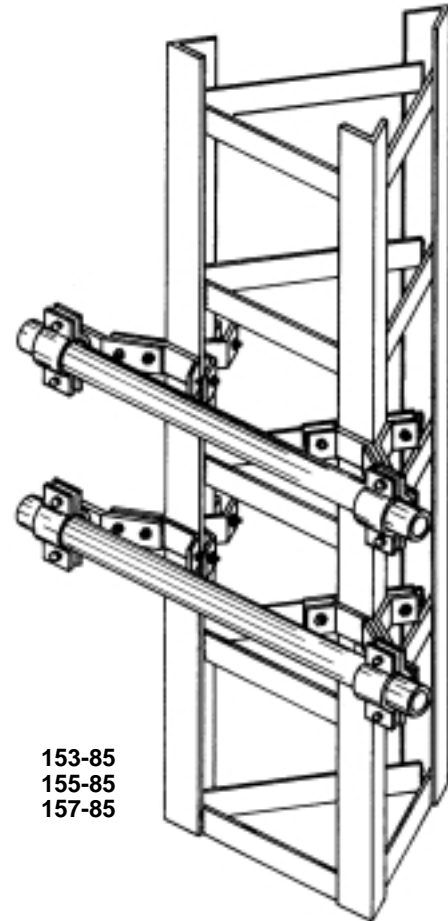
SIDE-MOUNTING ASSEMBLY

CLAMPS

Model	Tower Leg	Holder Section	Tower
153-85	5"x 5" max. 60°	1.5" to 3.5"	60° * 5"
155-85	8"x 8" max. 60°	1.5" to 3.5"	60° * 8"
157-85	3"x 3" max. 60°	1.5" to 3.5"	60° * 3"



154-85
156-85
158-85

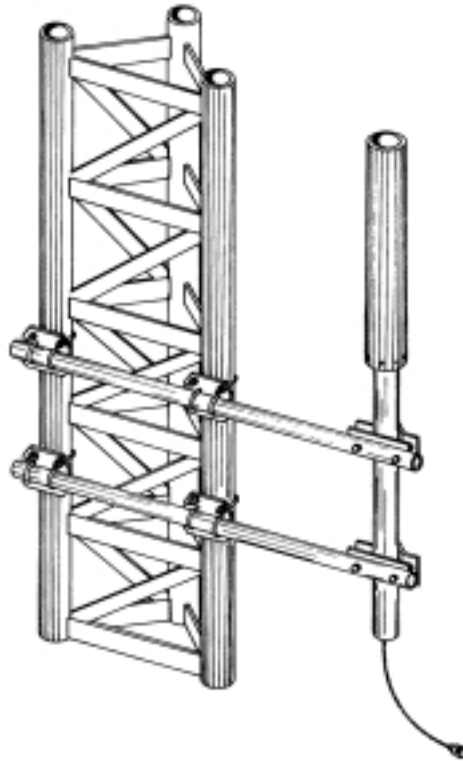


153-85
155-85
157-85

Model	Tower Leg	Holder Section	Tower
154-85	5"x 5" max. 90°	1.5" to 3.5"	90° * 5"
156-85	8"x 8" max. 90°	1.5" to 3.5"	90° * 8"
158-85	3"x 3" max. 90°	1.5" to 3.5"	90° * 3"

SIDE-MOUNTING ASSEMBLY

Model	Tower Leg	Holder Section	Tower
150-85	0.875" to 3"	Al. pipe 1.9" O.D. x 120"	1.50"-40
151-85	0.875" to 3"	Al. pipe 1.9" O.D. x 60"	1.50"-40
152-85	0.875" to 3"	Al. pipe 2.375" O.D. x 120"	2.00"-40



CLAMPS

YAGI HOLDER KIT

Model	Tower Leg	Holder Section
123-85	1.5" to 3.5"	Al. angle 1.5" x 1.5" x .1875"

