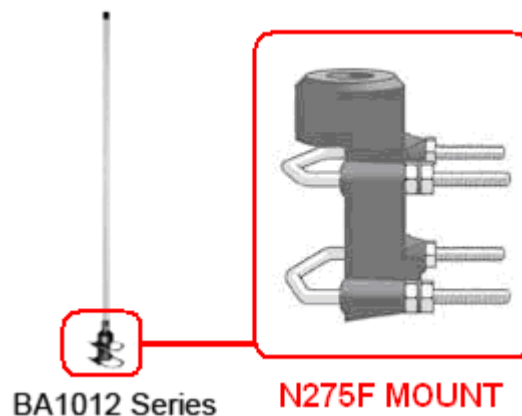




N275F: Universal mast mount for mounting on top of any support pipe 33-40 mm (1 3/8"-1 1/2") in diameter. This mount also accommodates mast diameters up to 58 mm (2 1/4") when side-mounted. Material: Anodized.



**N275F universal mast mount,
USED ON TOP OF SUPP. PIPE 1-3/8-1-1/2"**

**Depth 6.1"
Height 3.8"
Weight 1.5 LB**

Product Data Sheet

BA1012-0

Omnidirectional Fiberglass Antenna, 118-174, 2.1dBi, N Female

Product Description

These antennas feature a very broad frequency band, rugged construction and small size. Radiating elements are constructed of copper alloy, encased in a weather resistant low loss fiberglass radome. BA1012 "Light Weight" models terminate in a 1 inch-14 threaded ferrule which attaches directly to the N275F mounting hardware. Due to their wide bandwidth, they are ideal for use as emergency backup antennas. Their size and mounting fixtures allow for easy storage and fast installation. Alternative mounting hardware is available for most applications.

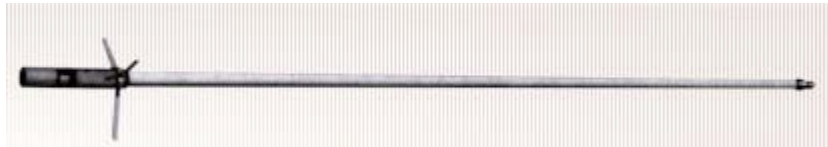


CELWAVE
DIVISION OF RADIO FREQUENCY SYSTEMS, INC.



FROM

CELWAVE REPEATER & BASE STATION ANTENNAS



DISTRIBUTED BY



**Wadsworth
Sales Inc.**

Bryan Wadsworth

Cell 815-790-4494

Fax 815-363-6056

www.wadsworthsales.com