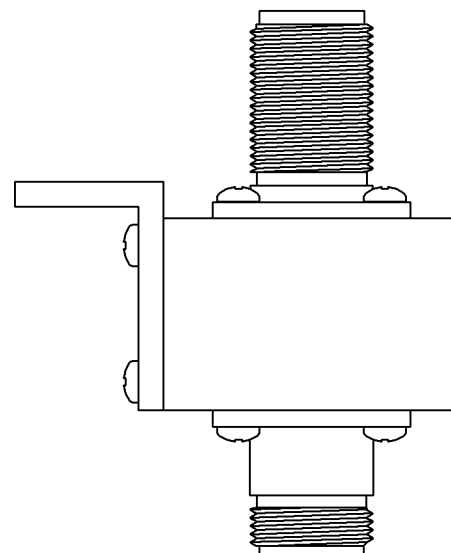
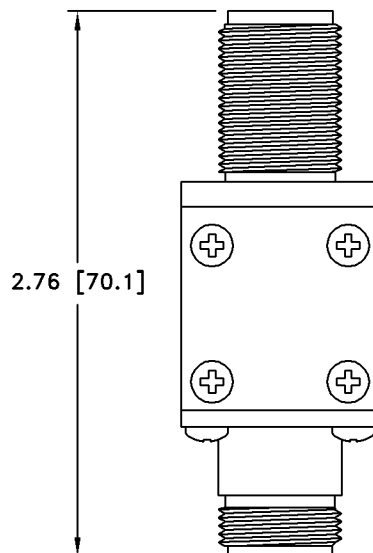
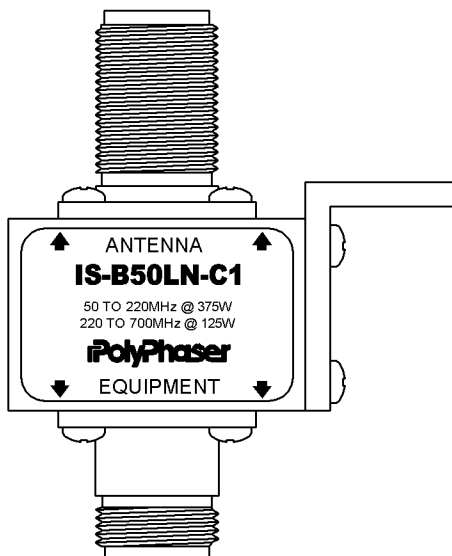


ALL DESIGN, OPERATIVE AND PROCESS DATA PERTAINING TO THE ARTICLE SHOWN ON THIS SHEET IS THE PROPERTY OF POLYPHASER CORPORATION. THE INFORMATION IS NOT TO BE COPIED, REPRODUCED, REVEALED TO OR APPROPRIATED BY OTHERS WITHOUT THE EXPRESS WRITTEN CONSENT OF POLYPHASER CORPORATION.

These commodities or technology are exported from the U.S. in accordance with the Export Administration Regulations. Diversion contrary to U.S. law prohibited.

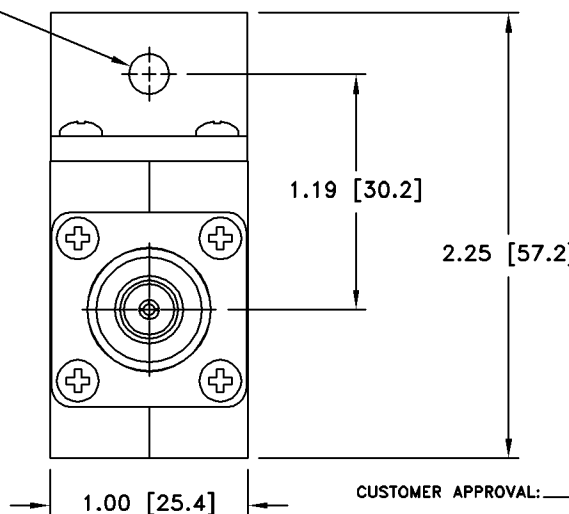
REVISIONS				
REV LTR	DATE	ENG	MKTG	Q.A.
G	03/05/07	CM	AD	-



**CALL 1-815-790-4494**

MAXIMUM CHARACTERISTICS	
SURGE:	50kA IEC 61000-4-5 8/20μs WAVEFORM 500J
TURN-ON:	+600Vdc±20%
TURN-ON TIME:	≤2.5ns FOR 2kV/ns
FREQUENCY RANGE:	50MHz TO 700MHz
VSWR:	≤1.2:1 @ 50MHz TO 60MHz ≤1.1:1 @ 60MHz TO 700MHz
INSERTION LOSS:	≤0.1dB OVER FREQUENCY RANGE
TEMPERATURE:	-45°C TO + 85°C STORAGE/OPERATING +50°C
MAX POWER:	VHF 375W, UHF 125W

∅.20 [∅5.2]



**COURTESY OF**  
**Wadsworth Sales Inc.**  
 Bryan Wadsworth  
 Cell 815-790-4494  
 Fax 815-363-6056  
[www.wadsworthsales.com](http://www.wadsworthsales.com)

CUSTOMER APPROVAL: \_\_\_\_\_ DATE: \_\_\_\_\_  
 ALL DIMENSIONS SHOWN ABOVE ARE FOR REFERENCE ONLY.

DRAFTER	DATE
J. CALLISTER	05/06/96
MECH ENGINEER	DATE
O. AKDAG	05/09/96
ELEC ENGINEER	DATE
T. KULBIEDA	05/08/96
MARKETING	DATE
- - - -	- - -
QUALITY DEPT	DATE
R. MATHEUS	05/08/96

**PolyPhaser**  
 P.O. BOX 9000 MINDEN, NY 89423 TEL: 775-782-2511 FAX: 775-782-4476  
 DWG NO/PART NO/DESCRIPTION  
**IS-B50LN-C1**  
 CUSTOMER PRINT

CAGE CODE	FILE NAME	SCALE	SHEET
61114	-C1	1/1	1 OF 1