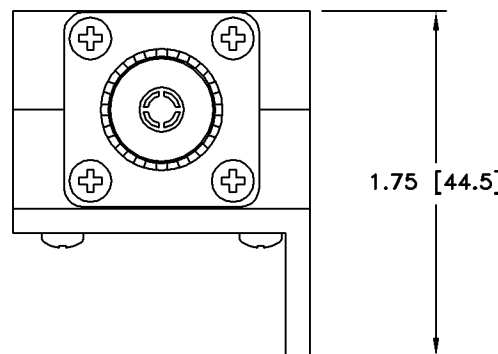
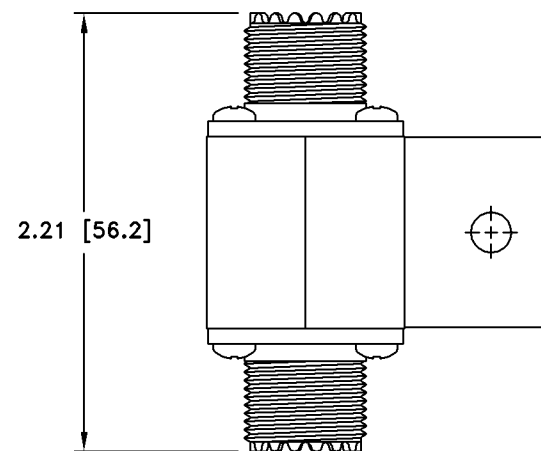
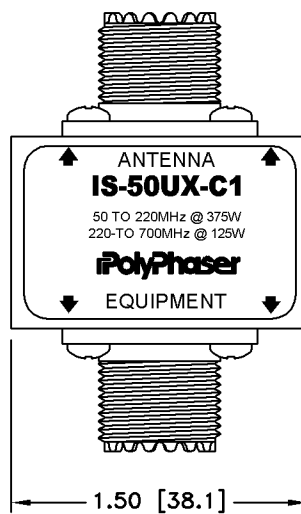
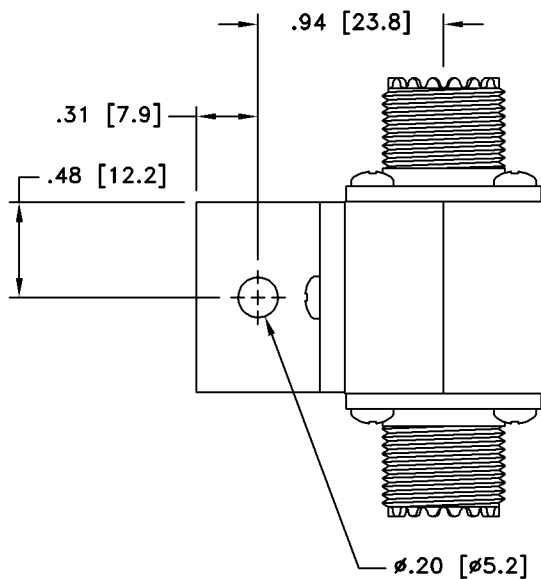


ALL DESIGN, OPERATIVE AND PROCESS DATA PERTAINING TO THE ARTICLE SHOWN ON THIS SHEET IS THE PROPERTY OF POLYPHASER CORPORATION. THE INFORMATION IS NOT TO BE COPIED, REPRODUCED, REVEALED TO OR APPROPRIATED BY OTHERS WITHOUT THE EXPRESS WRITTEN CONSENT OF POLYPHASER CORPORATION.

These commodities or technology are exported from the U.S. in accordance with the Export Administration Regulations. Diversion contrary to U.S. law prohibited.

REVISIONS				
REV LTR	DATE	ENG	MKTG	Q.A.
A	03/20/98 _{JC}	KCB	--	B. M
B	07/19/99 _{SH}	M.M	R.J	J.B
C	01/16/01 _{SH}	KCB	PH	RM
D	12/20/02 _{SH}	LC	PH	LJ
E	03/05/07 _{CM}	AD	-	-



AVAILABLE FROM

HOLZBERG COMMUNICATIONS, INC.

CALL >> 1-815-790-4494
wb9mcw@gmail.com

MAXIMUM CHARACTERISTICS	
SURGE:	50kA IEC 61000-4-5 8/20μs WAVEFORM 500J
TURN-ON:	600Vdc ±20%
TURN-ON TIME:	2.5ns FOR 2kV/ns
MAX POWER:	VHF 375W, UHF 125W
FREQUENCY RANGE:	50MHz TO 700MHz
VSWR:	≤1.2:1 OVER FREQUENCY RANGE
INSERTION LOSS:	≤0.1dB OVER FREQUENCY RANGE
THROUGHPUT ENERGY:	≤600μJ FOR 2kV/ns
TEMPERATURE:	-55°C TO +85°C STORAGE/OPERATING +50°C

CUSTOMER APPROVAL: _____ DATE: _____
 ALL DIMENSIONS SHOWN ABOVE ARE FOR REFERENCE ONLY.

DRAFTER C. GASPARINI	DATE 09/29/97	<p>P.O. BOX 9000 MINDEN, NY 89423 TEL: 775-782-2511 FAX: 775-782-4476 DWG NO/PART NO/DESCRIPTION</p> <p>IS-50UX-C1 CUSTOMER PRINT</p>			
MECH ENGINEER R.DUNNING	DATE 09/27/97				
ELEC ENGINEER K. BARTEL	DATE 09/30/97				
MARKETING - - - -	DATE - - - -				
QUALITY DEPT R. MILLER	DATE 09/30/97				
CAGE CODE 61114	FILE NAME -C1	SCALE 1/1	SHEET 1 OF 1		