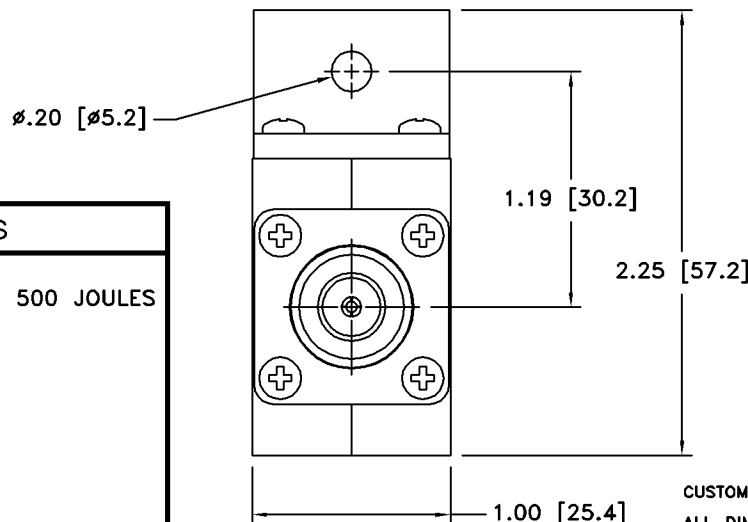
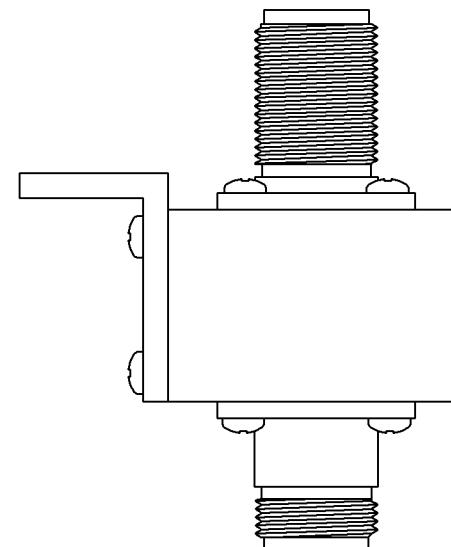
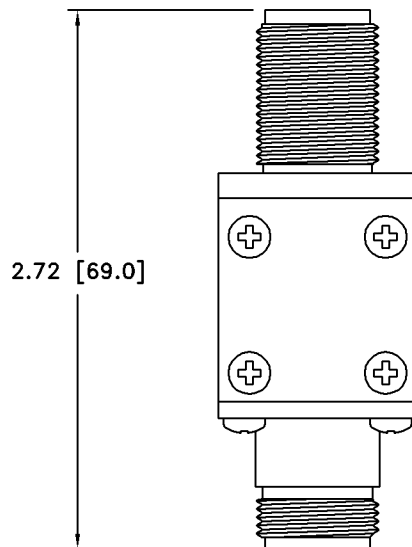
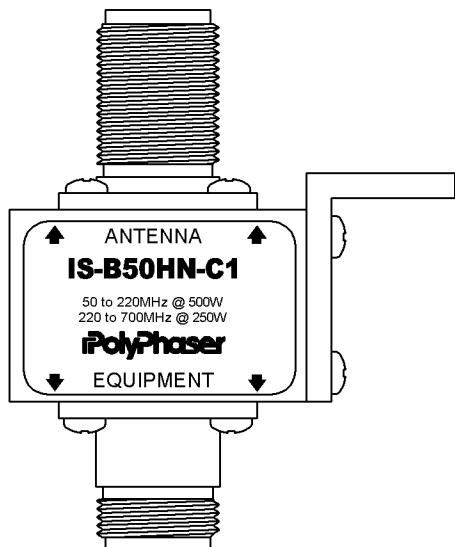


ALL DESIGN, OPERATIVE AND PROCESS DATA PERTAINING TO THE ARTICLE SHOWN ON THIS SHEET IS THE PROPERTY OF POLYPHASER CORPORATION. THE INFORMATION IS NOT TO BE COPIED, REPRODUCED, REVEALED TO OR APPROPRIATED BY OTHERS WITHOUT THE EXPRESS WRITTEN CONSENT OF POLYPHASER CORPORATION.

These commodities or technology are exported from the U.S. in accordance with the Export Administration Regulations. Diversion contrary to U.S. law prohibited.

REVISIONS

REV LTR	DATE	ENG	MKTG	Q.A.
B	01/17/01 <sup>SH</sup>	RCD	PH	RM
C	08/16/05 <sup>RS</sup>	RD	SD	LJ
D	03/05/07 <sup>CM</sup>	AD	-	-



**AVAILABLE FROM**

**HOLZBERG**  
COMMUNICATIONS, INC.

**CALL >> 1-815-790-4494**  
**wb9mcw@gmail.com**

MAXIMUM CHARACTERISTICS	
<b>SURGE:</b>	50ka IEC 61000-4-5 8/20μs WAVEFORM 500 JOULES
<b>TURN-ON:</b>	+1200Vdc±20%
<b>TURN-ON TIME:</b>	≤7ns FOR 2kV/ns
<b>FREQUENCY RANGE:</b>	50MHz TO 700MHz
<b>VSWR:</b>	≤1.2:1 @ 50MHz TO 60MHz ≤1.1:1 @ 60MHz TO 700MHz
<b>INSERTION LOSS:</b>	≤0.1dB OVER FREQUENCY RANGE
<b>MAX POWER:</b>	VHF 500W, UHF 250W
<b>TEMPERATURE:</b>	-55°C TO +125°C

CUSTOMER APPROVAL: \_\_\_\_\_ DATE: \_\_\_\_\_  
ALL DIMENSIONS SHOWN ABOVE ARE FOR REFERENCE ONLY.

DRAFTER	DATE
C. GASPARINI	07/10/96
MECH ENGINEER	DATE
O. AKDAG	07/11/96
ELEC ENGINEER	DATE
T. KULBIEDA	07/17/96
MARKETING	DATE
- - - -	- - -
QUALITY DEPT	DATE
R. MATHEUS	07/17/96

**PolyPhaser**

P.O. BOX 9000 MINDEN, NY 89425 TEL: 775-782-2511 FAX: 775-782-4476  
DWG NO/PART NO/DESCRIPTION

**IS-B50HN-C1**  
CUSTOMER PRINT

QUALITY DEPT	DATE	CAGE CODE	FILE NAME	SCALE	SHEET
R. MATHEUS	07/17/96	61114	-C1	1/1	1 OF 1